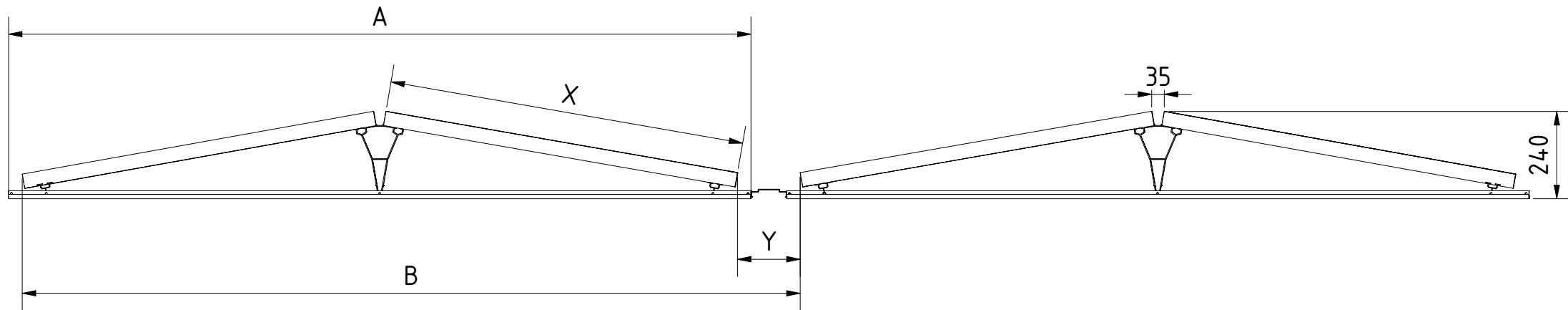


FS10EW variants



R500500	A = 2260 mm, B = 2360 mm	
Module length X	distance Y	
minimum = 950 mm	455 mm	
maximum = 1050 mm	255 mm	

R500407	A = 2060 mm, B = 2160 mm	
Module length X	distance Y	
minimum = 950 mm	255 mm	
maximum = 1050 mm	55 mm	

R500501	A = 1989 mm, B = 2089 mm	
Module length X	distance Y	
minimum = 950 mm	185 mm	
maximum = 1030 mm	25 mm	